

SafeGlide[®]

Series



 **EDKO MODEL SLW**
SWING GATE OPERATOR

SafeGlide[®] Series

HEAVY-DUTY (GEAR HEAD) SWING GATE OPERATOR

WITH FULL SYSTEMS
UL325 CIRCUITRY

MODEL SLW

EDKO[®]



● Custom Colors Available for Larger Projects

The **Model SLW** is one of Edko's SafeGlide[®] Gate Operating Systems. Designed installer and user friendly, it is a highly durable, safe, easy-to-operate perimeter security solution. This rugged system represents decades of experience in electrical and structural engineering, gate manufacturing, and installation. It will outlast traditional alternatives by years and years, giving you real value and performance even in demanding high-cycle applications.

APPLICATION

For use on all UL325 Class I, II, III, IV sliding gates subject to high cyclage or for industrial, commercial or residential applications. Gear head units are completely assembled and include all necessary hardware. See UL325.com for additional safety information.

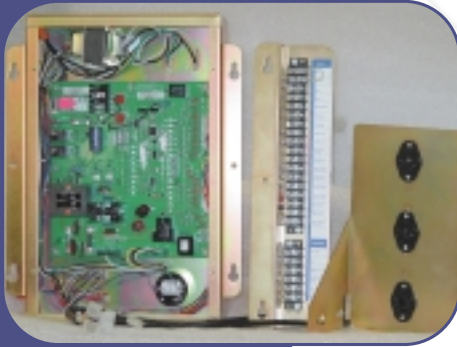
OPERATION

Open/Close/Stop three-button soft start operation. Open override. All units include self monitored current sensing and an adjustable friction clutch to slip if gate is obstructed. Radio will open, close and reverse gate if closing. Full systems circuitry.



SafeGlide[®] Series

SLW ELECTRICAL FEATURES

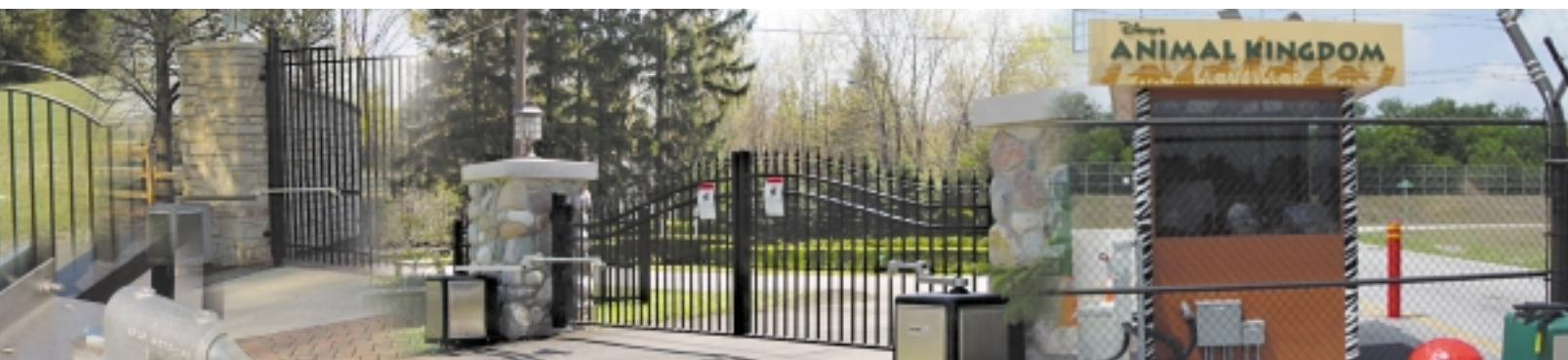


From securing homes to providing commercial and industrial gate and access control products, Edko has been delivering reliable single source solutions for over 50 years.

Whether you seek a single gate or complete integrated access control system, from design or product selection assistance through manufacturing and installation, Edko can meet your requirements. We're in the business of providing a sense of security - both in knowing you've chosen the right components and in the final installation itself.

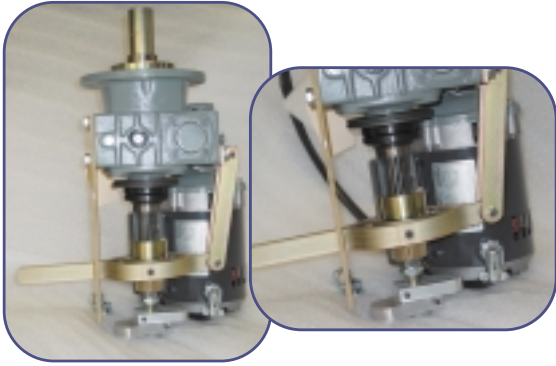


- **Solid State Controller**
SafeGlide[®] controller comes with Standard Timer to Close, Maximum Run Timer, easy left hand/ right hand conversion and LED's for on-board Self Diagnostics.
- **Push Button Control**
Open / Close / Stop and industry exclusive hold open / hold close on-board gate control.
- **Power Monitoring**
SafeGlide[®] controller is fused for over current protection. Controller "hibernates" on low voltage input.
- **Motor**
High-starting torque continuous duty industrial motor. Available in 1/2 HP (4.2 amp) and 1HP (11.8 amp), 120VAC 1625-RPM models.
- **Soft Start**
Soft start circuit to eliminate harsh operation and excessive draw force.
- **Photo-Eye**
Industry exclusive monitored control circuit to provide on-board system shut down on photo-eye failure.
- **Current Sensing / ERD**
Industry exclusive monitored control circuit. Provides Self Adjusting current sensing with on-board system gate reversal upon sensing an obstruction.
- **Master / Slave**
Synchronized operation between two gate operators.
- **Alarms**
Output for use with a beeper and or strobe / flashing light during gate movement. Standard Fault Beeper and Remote Output if the gate senses an obstruction twice while opening or closing will sound for five minutes or until controller receives a reset input.
- **Plug and Go™**
Industry exclusive. All wiring has Molex[®] connections for ease of use, installation and servicing.
- **Accessory Wiring**
Oversized Plug and Go™ Field Terminal Strip for ease of wiring open inputs and accessories. Separate Accessory 24v Power Supply included. Isolation of 24v Power Supply eliminates costly control board replacements.
- **Vehicle Detectors**
Easily wired to oversized terminal strip or optional octal socket tray (Safety, Shadow, Free Exit) with Plug and Go™ Molex connection available. Isolation of vehicle detectors eliminates costly control board replacements.
- **Solenoid and Magnetic Locks**
SafeGlide[®] Controller provides for easy connection to oversized terminal strip.



SafeGlide® Series

SLW MECHANICAL FEATURES



EASILY INSTALLED

PLUG AND GO™ TECHNOLOGY

MADE IN AMERICA - BUILT TO LAST

- **Worm Gear Reduction**
Heavy-duty 900:1 worm gear reducer in oil bath with integral adjustable torque limiter clutch.
- **Frame and Components**
Uni-weld metal frame and components are yellow zinc chromate for corrosion protection.
- **Cover**
Polyethylene cover with stainless steel access panels provide excellent corrosion resistance.
- **Emergency Release**
Industry exclusive through shaft design provides easy disconnect for manual operation.
- **Drive Shaft**
1 1/2 inch through shaft with splined disconnect and heavy-duty sealed ball bearings allows for NO V-Belt.
- **Limit Switches**
Adjustable limit cams for gates up to 24 feet.
- **Arm Connection**
Standard Stainless Steel channel arm and gate plate with cast aluminum arm connectors.
- **Mounting**
Concrete pad or optional weldment mounting.
- **Battery Backup**
Optional DC to AC Converter with battery charger for operation when power fails. UL compliant system powers all safety devices. Pre-wired and available in open only or continuous operation modes. Battery not included and size will limit cycles.



ETL LISTED – UL325 AND UL991 COMPLIANT
COMPLETELY PRE-WIRED AND FACTORY TESTED

HP	Maximum Gate Opening	Maximum Gate Weight	Maximum frequency of use (cycles/hr.)	Gate Speed	Volts	PH	Model No.	Ship Wt.
1/2	16'	1000#	60	1 Foot Per Second	120/230	1	SLW-200	205#
1	24'	1200#	60	1 Foot Per Second	120/230	1	SLW-100	215#

Specification

1.0.0. Equipment

1.1.0. Gate System

1. General

Gate operator shall be a Model SLW Swing Gate Operator as manufactured by Edko, Inc., 1019 Air Park Drive, Sugar Grove, Illinois 60554, Phone (800) 800-3356, Fax (888) 800-3356. Gate operator shall be specifically configured to meet UL325 regulations to facilitate automatic power operation of Swing gates, inclusive of high cycle and high speed operation.

2. Gate Operator

A. Application

For use on all UL325 Class I,II,III,IV swing gates subject to high cyclage or for industrial, commercial or residential applications. Gear head units are completely assembled and include all necessary hardware. See UL325.com for additional safety information

B. Operation:

Open/Close/Stop three-button soft start operation. Open override. All units include self monitored current sensing and an adjustable friction clutch to slip if gate is obstructed. Radio will open, close and reverse gate if closing. Full systems circuitry.

C. Mechanical Features:

Gate operator shall be equipped with a Heavy-duty worm gear reducer with no V-Belt in order to eliminate adjustment and replacement of V-Belt. Worm gear reducer shall have an adjustable torque limiter clutch with a through shaft splined disconnect for easy manual operation. Splined output shaft shall have a Heavy-duty sealed ball bearing system in the housing for additional shaft life. All components shall be yellow zinc chromate, including the uni-weld metal frame. Operator shall come with a polyethylene cover. All units shall be pad or weldment mountable. All units shall have an lockable access panel for manual disconnect and adjustable limit switches.

D. Electrical Features:

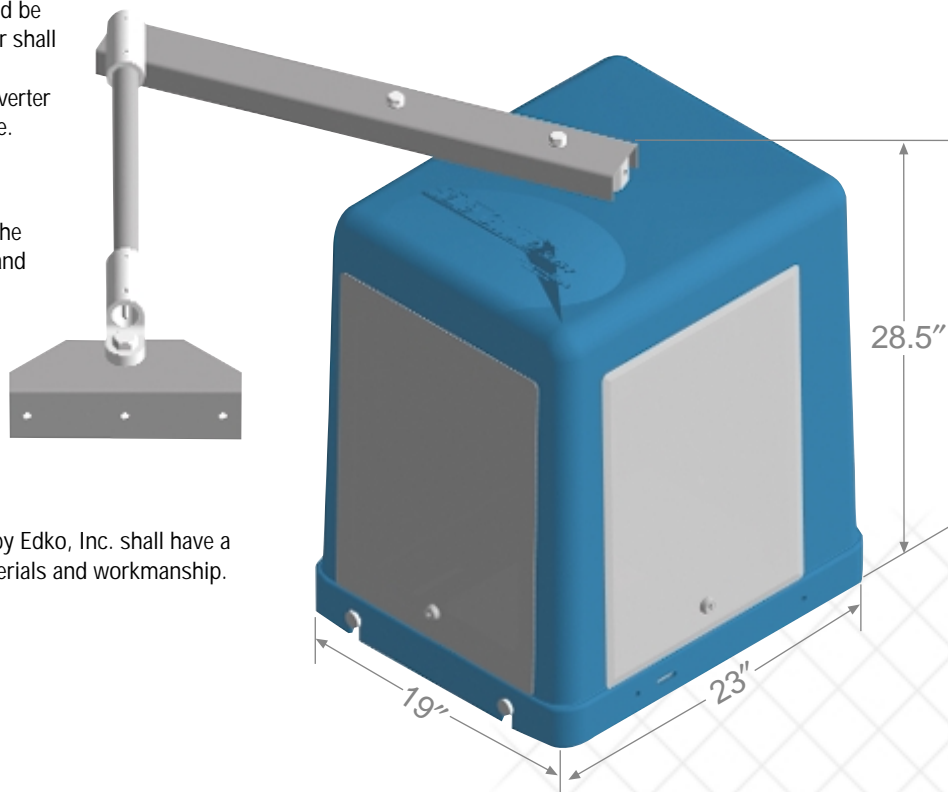
Gate operator shall be equipped with Power On/Off switch and a High-starting torque continuous duty industrial motor with soft start. Soft start shall eliminate excessive draw force on gate system. Solid state controller shall have a Monitored Photo-Eye circuit, Self Adjusting / Monitored Current Sensing, Timer to Close, Maximum Run Timer and Self Diagnostics. All wiring shall have Molex® connections for ease of use. Operator shall have a detachable oversized field terminal strip and a separate accessory 24v power supply and switchable left hand / right hand conversion and Master/Slave operation. Operator shall have a separate alarm output, fault output and be prewired for solenoid and magnetic locks. Operator shall be available in 1/2 and 1 HP models and shall be Completely prewired and factory tested. Optional Inverter – For Battery Backup shall also be factory available.

3. Quality Assurance

Gate operator shall be constructed so as to meet the "Minimum Performance Criteria" for Class I, II, III, and IV Gate operators, as specified in UL325. This operator is part of a system and shall have be used in accordance with UL325. Gates shall require a draw force of a maximum of 50 pounds when installed level and plumb.

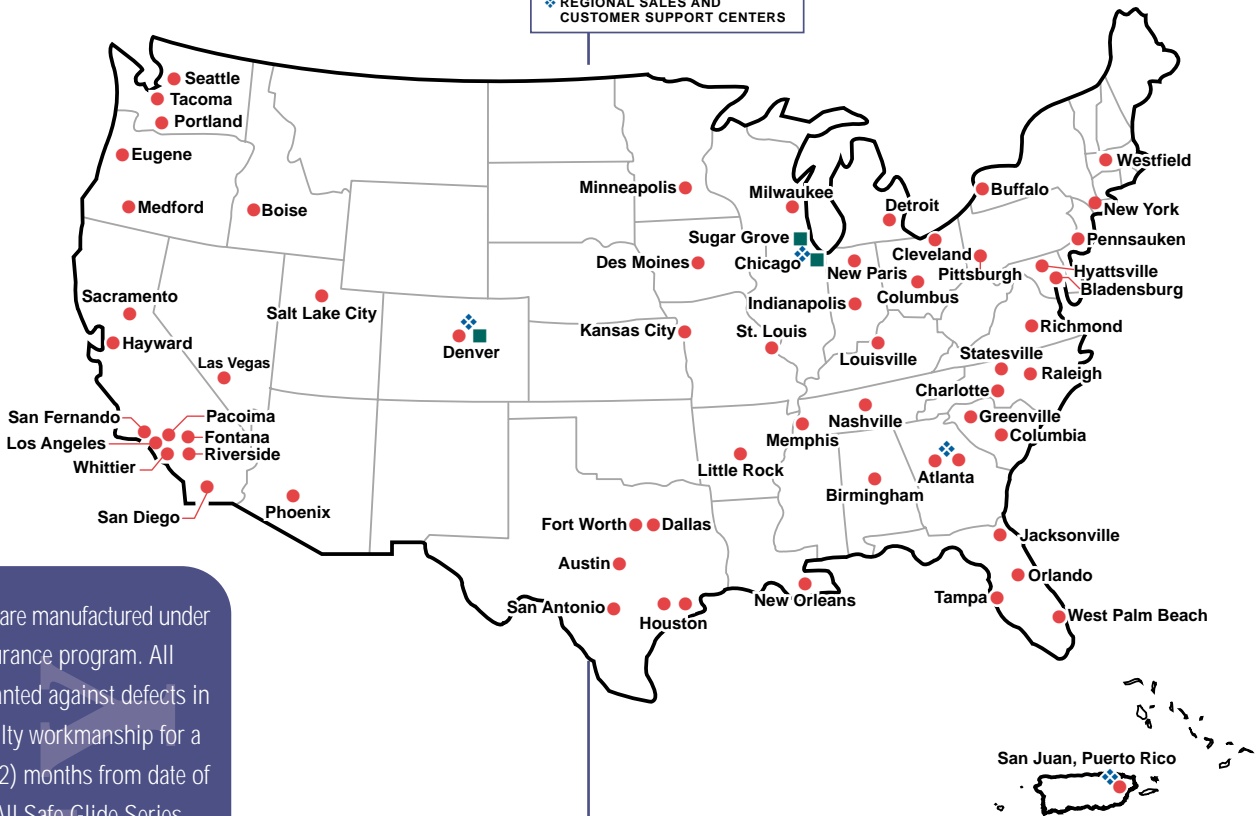
4. Warranty

System components manufactured and supplied by Edko, Inc. shall have a three-year limited warranty against defects in materials and workmanship.



COVERAGE MAP

- MANUFACTURING FACILITIES
- DISTRIBUTORS
- ◆ REGIONAL SALES AND CUSTOMER SUPPORT CENTERS



All Edko products are manufactured under a rigid quality assurance program. All equipment is warranted against defects in material and/or faulty workmanship for a period of twelve (12) months from date of factory shipment. All Safe Glide Series product carries an additional twenty-four (24) month warranty. Should any product be defective due to defect in material or faulty workmanship in its manufacture within the twelve (12) month period, Edko or its installing dealer, will at Edko's option, repair or replace such defective product. Edko is not liable for incidental or consequential damages. This is a limited warranty and there are no other warranties expressed or implied. There are no warranties which extend beyond the description the face hereof.

Edko, Inc. reserves the right to make changes or improvements in the product or accessories without notice and without incurring any obligation to make similar changes or improvements to products previously ordered.

The deterioration due to ordinary use and wear, or equipment, which has been abused, neglected, vandalized, encountered vehicular damage, or act of God, is exempted from this warranty. Warranty null and void if terms of contract and factory maintenance schedule are not kept.

A CUSTOMER SERVICE COMMITMENT

At Edko, our ability to respond to your needs is a priority. We believe in working with customers on an application-by-applications basis. By maintaining regional sales and technical service support centers nationwide, Edko is able to provide prompt, local service.

FOR MORE INFORMATION

Single source gate and access control solutions. Systems integration. Security. Safety. Edko provides it all! To discuss your requirements or to request product specification sheets, call 800-800-EDKO today.



1019 Airpark Drive • Sugar Grove, IL 60554
 800-800-EDKO • Fax: 888-800-3356 • Email: sales@edko.com • Web: www.edko.com
(3356)